

A3/11"x17" Tray Unit Type 1075  
(B475)

## **A3/11"x17" Tray Unit Type 1075 (B475)**

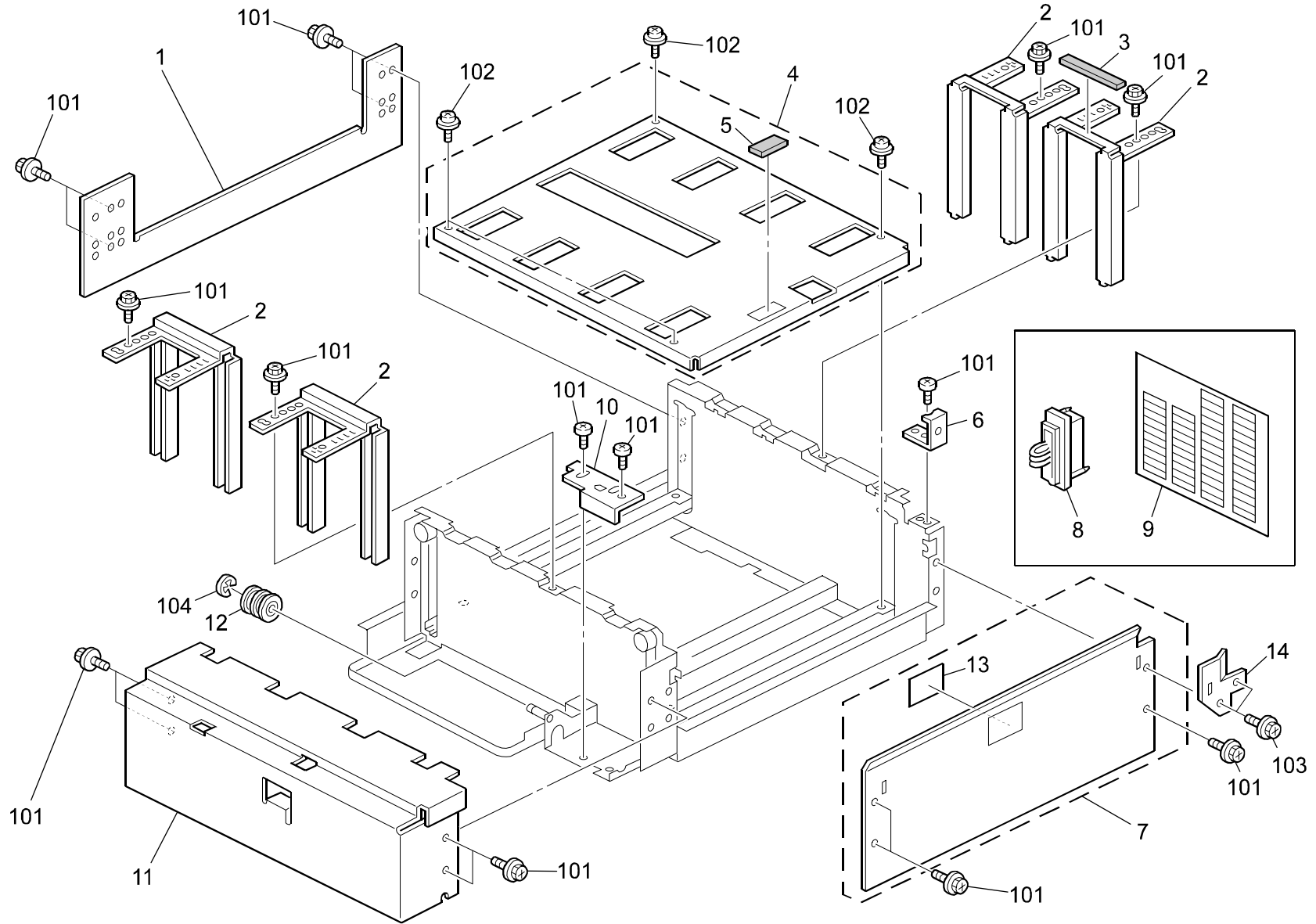
### **PARTS CATALOG**

This catalog gives the numbers and names of parts on this machine.

1.A3 PAPER TRAY KIT 1 (B475) .....	2
2.A3 PAPER TRAY KIT 2 (B475) .....	4
<b>PARTS INDEX.....</b>	<b>7</b>

**April ,8 ' 2005**

# 1.A3 PAPER TRAY KIT 1 (B475)

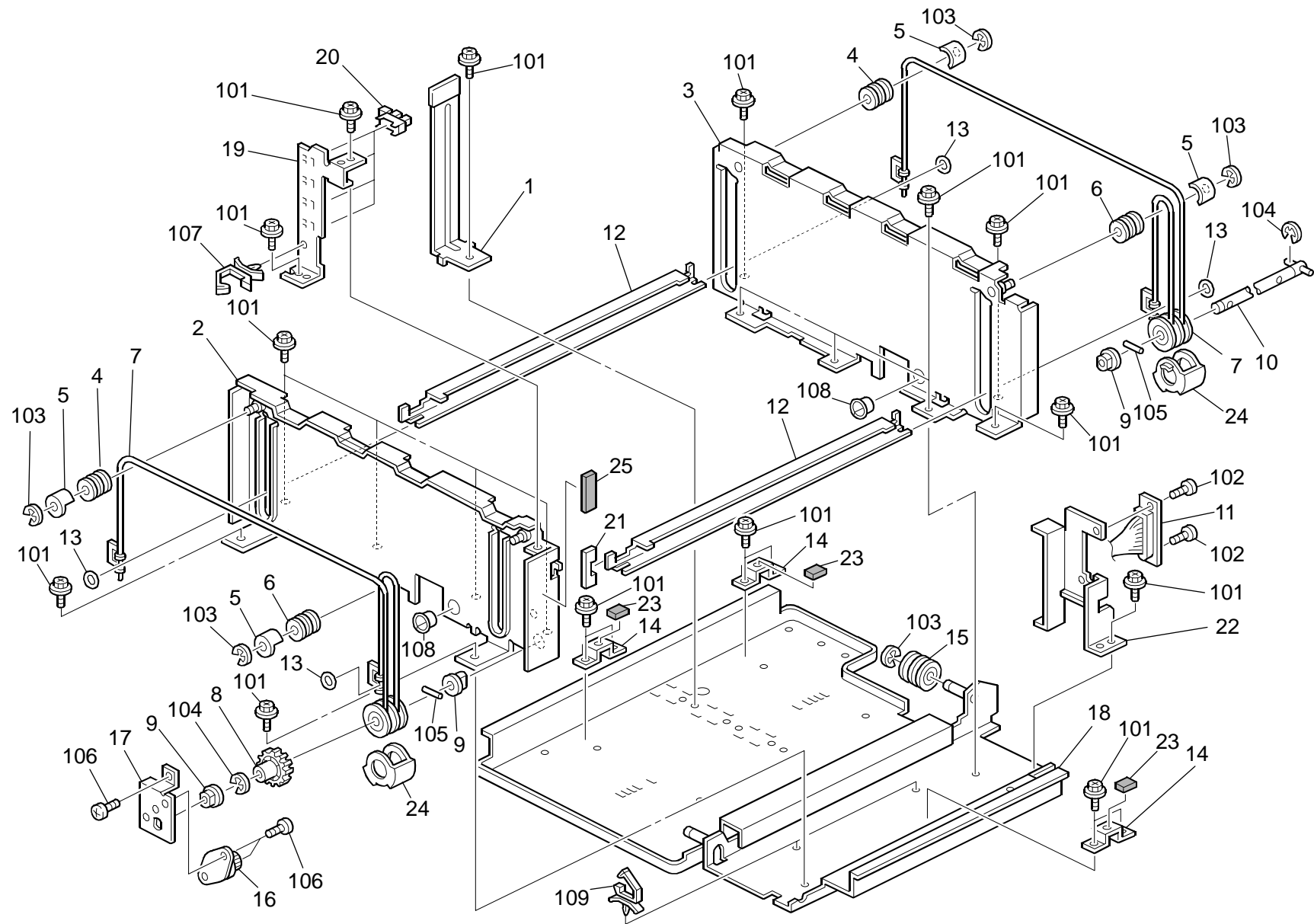


### 1.A3 PAPER TRAY KIT 1 (B475)

Index No.	Part No.	Description	Q'ty Per Assembly
1	A248 6645	Side Plate - Left	1
2	B475 6852	Slide Fence	4
3	AA15 3063	Seal - 4x10x70	1
4	B475 6844	Bottom Plate	1
5	5201 2858	Friction Pad	1
6	A176 6695	Misfeed Removal Guide	1
7	A248 6666	Side Plate	1
8	B475 6873	Paper Tray Harness	1
9	B065 8490	Decal - Paper Size	1
10	A248 6659	Right Stopper	1
11	B475 6828	Front Cover	1
12	AF02 2105	Roller - Slide Rail	1
13	AA00 2010	Decal - Paper Level	1
14	B065 6672	Interlock Guide - Tandem LCT	1

Index No.	Part No.	Description	Q'ty Per Assembly
101	0451 4006N	Tapping Screw - 4x6	
102	0951 4006N	Philips Screw With Washer - M4x6	
103	0451 4008N	Philips Tapping Screw - M4x8	
104	0720 0040E	Retaining Ring - M4	

## 2.A3 PAPER TRAY KIT 2 (B475)



## 2.A3 PAPER TRAY KIT 2 (B475)

Index No.	Part No.	Description	Q'ty Per Assembly
1	B475 6864	End Fence	1
2	B475 6822	Front Side Plate	1
3	B475 6825	Rear Side Plate	1
4	AB03 2058	Wire Pulley - M10	2
5	A248 6695	Guide - Pulley	4
6	AB03 2719	Pulley - M10	2
7	B475 6834	Drive Pulley	2
8	AB01 3781	Gear - 30Z	1
9	5053 0223	Bushing - 8mm	3
10	A248 6687	Right Drive Shaft	1
11	B475 6872	Relay Harness - Paper Tray	1
12	A248 6682	Stay - Right Base	2
13	A248 6694	Wire Ring	4
14	B475 6817	Cushion Bracket	3
15	AF02 2105	Roller - Slide Rail	1
16	A248 6701	Oil Damper	1
17	A248 6703	Bracket - Oil Damper	1
18	B475 6812	Base - LCT	1
19	B475 6706	Sensor Bracket	1
20	AW02 0120	Photointerruptor - Flat	4
21	A294 6690	Feeler - Paper Height Sensor	1
22	B065 6743	Right Bracket	1
23	B331 6811	Cushion - 20x30	3
24	A248 6696	Pulley Cover	2
25	AA15 2441	Case Seal MB1 ADDED	1

Index No.	Part No.	Description	Q'ty Per Assembly
101	0451 4006N	Tapping Screw - 4x6	
102	0313 0080N	Philips Pan Head Screw - M3x8	
103	0720 0040E	Retaining Ring - M4	
104	0720 0060E	Retaining Ring - M6	
105	0633 0200G	Pin - M3x20	
106	0434 0060N	Pan Head Self - Tapping Screw - M4x6	
107	1105 0516	Clamp	
108	1106 0411	Bushing - 11.5mm	
109	1105 0487	Harness Clamp	

# Parts Index

## Parts Index

Part No.	Description	Page and Index No.
B475 6706	Sensor Bracket	5 - 19
B475 6812	Base - LCT	5 - 18
B475 6817	Cushion Bracket	5 - 14
B475 6822	Front Side Plate	5 - 2
B475 6825	Rear Side Plate	5 - 3
B475 6828	Front Cover	3 - 11
B475 6834	Drive Pulley	5 - 7
B475 6844	Bottom Plate	3 - 4
B475 6852	Slide Fence	3 - 2
B475 6864	End Fence	5 - 1
B475 6872	Relay Harness - Paper Tray	5 - 11
B475 6873	Paper Tray Harness	3 - 8

Part No.	Description	Page and Index No.
A176 6695	Misfeed Removal Guide	3 - 6
A248 6645	Side Plate - Left	3 - 1
A248 6659	Right Stopper	3 - 10
A248 6666	Side Plate	3 - 7
A248 6682	Stay - Right Base	5 - 12
A248 6687	Right Drive Shaft	5 - 10
A248 6694	Wire Ring	5 - 13
A248 6695	Guide - Pulley	5 - 5
A248 6696	Pulley Cover	5 - 24
A248 6701	Oil Damper	5 - 16
A248 6703	Bracket - Oil Damper	5 - 17
A294 6690	Feeler - Paper Height Sensor	5 - 21
B065 6672	Interlock Guide - Tandem LCT	3 - 14
B065 6743	Right Bracket	5 - 22
B065 8490	Decal - Paper Size	3 - 9
B331 6811	Cushion - 20x30	5 - 23



Part No.	Description	Page and Index No.
AA00 2010	Decal - Paper Level	3 - 13
AA15 2441	Case Seal MB1 ADDED	5 - 25
AA15 3063	Seal - 4x10x70	3 - 3
AB01 3781	Gear - 30Z	5 - 8
AB03 2058	Wire Pulley - M10	5 - 4
AB03 2719	Pulley - M10	5 - 6
AF02 2105	Roller - Slide Rail	3 - 12
AF02 2105	Roller - Slide Rail	5 - 15
AW02 0120	Photointerruptor - Flat	5 - 20

Part No.	Description	Page and Index No.
0313 0080N	Philips Pan Head Screw - M3x8	5 - 102
0434 0060N	Pan Head Self - Tapping Screw - M4x6	5 - 106
0451 4006N	Tapping Screw - 4x6	3 - 101
0451 4006N	Tapping Screw - 4x6	5 - 101
0451 4008N	Philips Tapping Screw - M4x8	3 - 103
0633 0200G	Pin - M3x20	5 - 105
0720 0040E	Retaining Ring - M4	5 - 103
0720 0040E	Retaining Ring - M4	3 - 104
0720 0060E	Retaining Ring - M6	5 - 104
0951 4006N	Philips Screw With Washer - M4x6	3 - 102
1105 0487	Harness Clamp	5 - 109
1105 0516	Clamp	5 - 107
1106 0411	Bushing - 11.5mm	5 - 108

Part No.	Description	Page and Index No.
5053 0223	Bushing - 8mm	5 - 9
5201 2858	Friction Pad	3 - 5

Part No.	Description	Page and Index No.
----------	-------------	--------------------